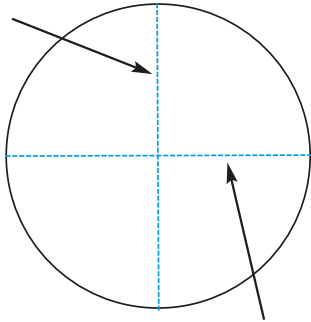
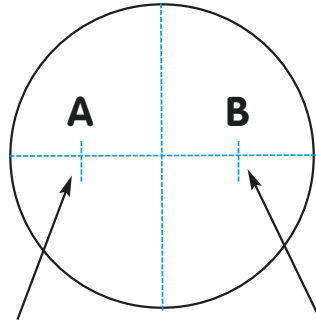


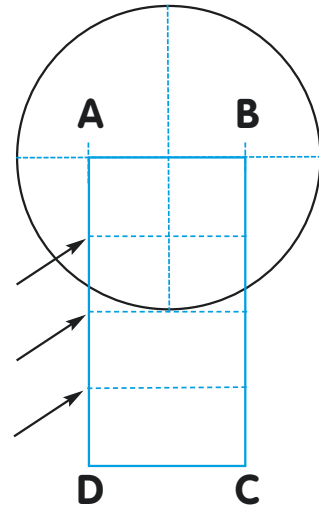
HOW TO DRAW A SUGAR SKULL – Using symmetry and pattern to celebrate the Day of the Dead



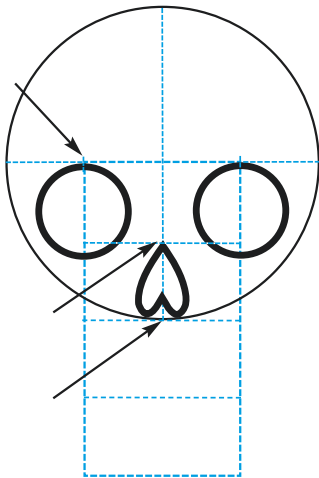
1. Draw a circle near the top of your paper with a radius of about 13.3 cm (5.25").
2. Draw the vertical line of symmetry.
3. Draw the horizontal line of symmetry



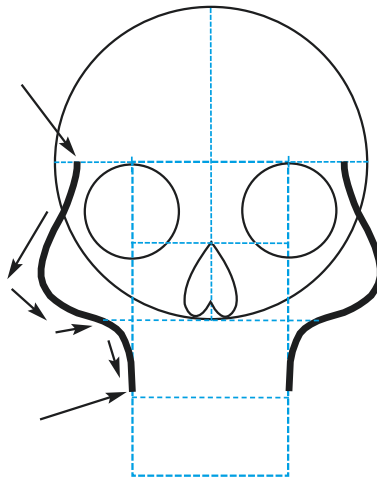
1. Divide the horizontal line of symmetry into 4 equal parts.



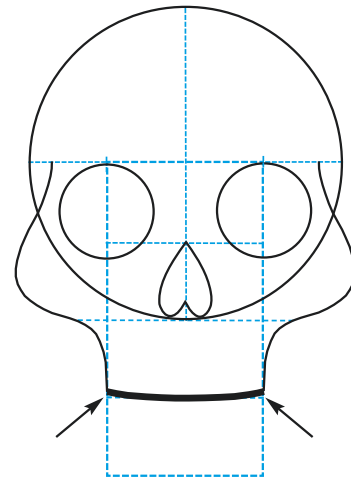
1. Draw a rectangle from A to B to C to D that is twice as long as it is wide.
2. Divide the length of the rectangle into 4 equal parts.



1. Use the rectangle guide lines to place the eyes and nose
 - large circles for eyes.
 - upside down heart for nose



1. Draw cheekbones and the upper jaw with a curved line.
 - start beside the eyes
 - curve away from the circle
 - curve in at the bottom of the circle
 - end at the lower rectangle guide line



1. Draw the mouth line.
 - connect the ends of the upper jaw lines
 - follow the lower guide line
 - curve the ends of the line up slightly